



RVSE1-06

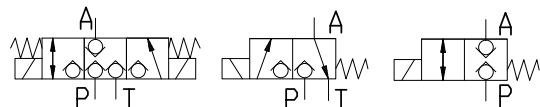
DIRECTIONAL SEAT VALVE

| KE 2010 | 07/14 |

D_n 06 | p_{max} 35 MPa | Q_{max} 20dm³/min

Solenoid operated directional seat valves RVSE1 are used to control start, stop and direction of fluid in hydraulic systems.

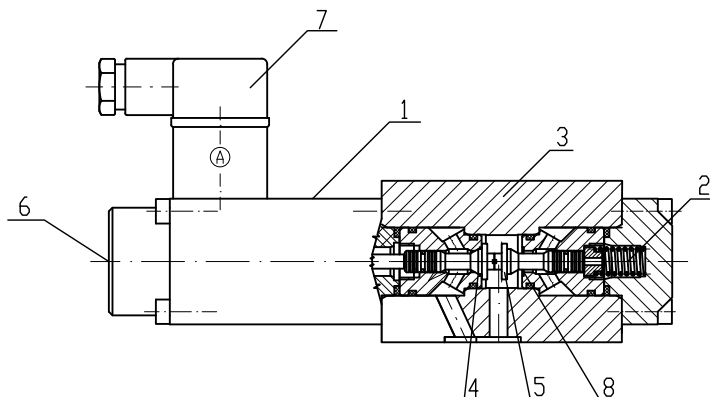
Dn 06, NG 06 | Solenoid operated | Manual override | Installation dimensions according to DIN 24 340, ISO 4401, CETOP 3



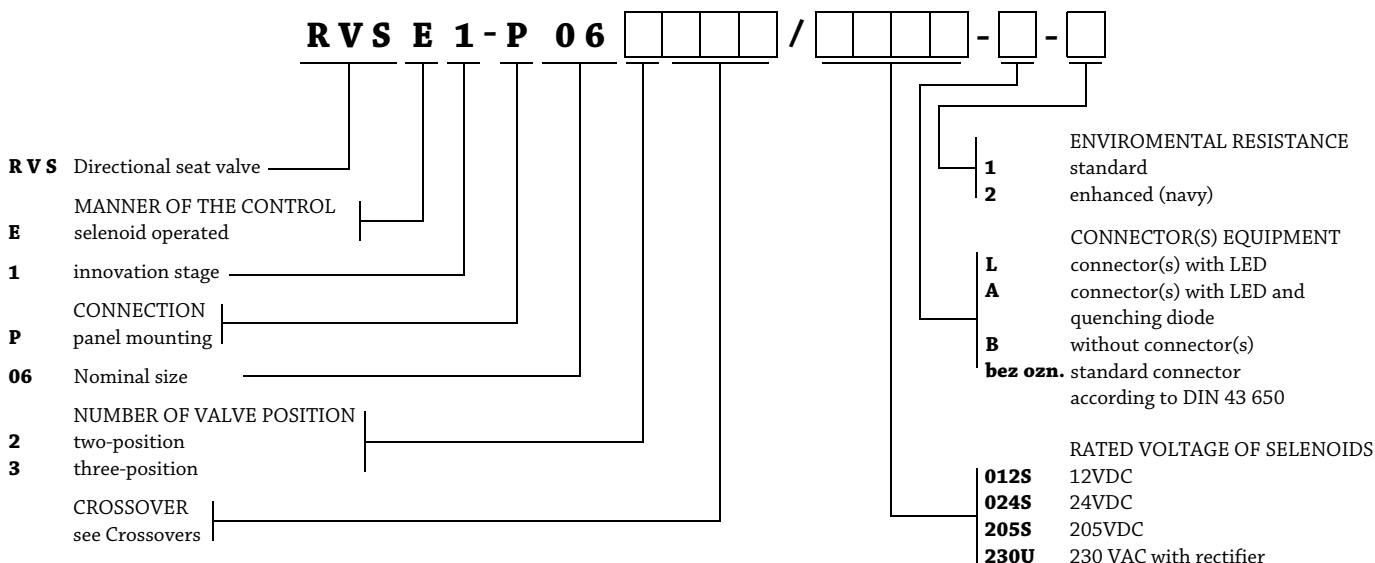
FUNCTIONAL DESCRIPTION

Solenoid operated directional control valves RVSE1 consist of solenoid **1** with return spring **2**, cast iron valve housing **3**, valve seats **4, 8** and closing element **5**. DC solenoids are supplied through connector **7**. For AC supply the solenoids are equipped with rectifiers integrated to the DIN connector socket as a part of the solenoids. Solenoids are designed for manual override **6** allowing the control spool to be repositioned in case of power supply failure or solenoids malfunction.

In the initial position, the closing element is pressed onto the valve seat **4** by the spring **2**. Once the control solenoid is powered the spring force is exceeded and the closing element is pressed onto the seat **8** and the flow is blocked. Arrangement of the spring **2** determines the initial position (closed/opened) of the 3/2 way directional seat valve. 2/2 way directional seat valves have its port T blocked internally. Design of the valve allows the maximum operating pressure of 35 MPa to be used in all ports P, A a T.



ORDERING CODE



INSTALLATION, SERVICE AND MAINTENANCE

Directional seat valves RVSE1-06 are designed for panel installation. They are being mounted by four screws M5x40 with torque 8Nm and can be installed in any working position. The reliability of the valves is conditional upon use of prescribed working fluid, especially its parameters such as cleanness and temperature. Seat valves can be mounted in any working position.

DELIVERY

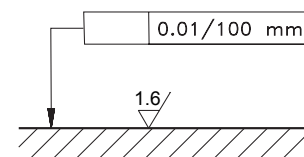
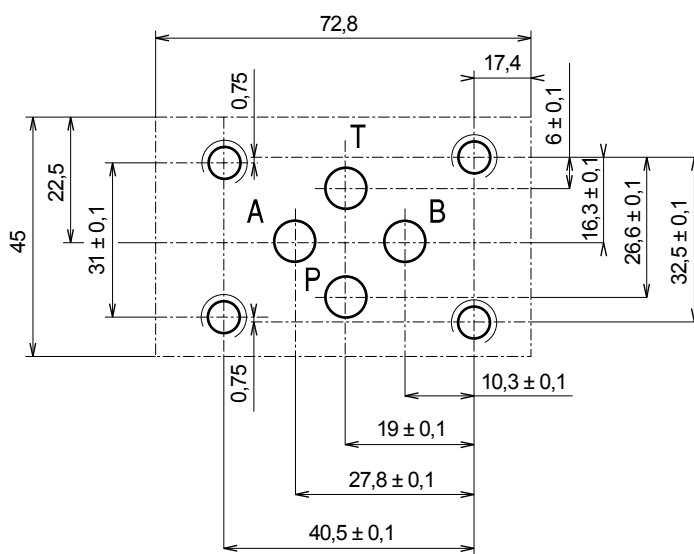
Solenoid operated directional seat valves RVSE1-06 are delivered assembled. Spare parts and mounting screws are not included in package. These must be ordered separately.

TECHNICAL DATA

| Technical data | Symbol | Units | Value |
|---|---|---|---|
| Nominal size | D_n | mm | 6 |
| Maximal flow | Q_{max} | dm^3/min | 20 |
| Maximum operating pressure in ports P, A, T | p_{max} | MPa | 35 |
| Hydraulic fluid | | Mineral oil (HL, HLP) according to DIN 51 524 | |
| Viscosity range | ν | m^2/s | $10 \cdot 10^{-6} \sim 400 \cdot 10^{-6}$ |
| Fluid temperature range | t_{po} | $^{\circ}C$ | -20 up to +60 |
| Ambient temperature range | t_k | $^{\circ}C$ | -20 up to +50 |
| Maximum degree of fluid contamination | a) class 9 according to NAS 1638, 18/15 according to ISO 4401 b) fluid filtration - $\beta_{20} \geq 100$ | | |
| Power consumption | P | W | 30 |
| Nominal voltage tolerance | ΔU | % | ± 10 |
| Type of protection according to DIN EN 60 529 | | | IP65 |
| Switching time: On | t_{ON} | ms | 50 |
| Off | t_{OFF} | ms | 20 without rectifier |
| | | ms | 50 with rectifier |
| Maximum switching frequency | f_{max} | 1/h | 10 000 |
| Working position | | | any |
| Mass | m | kg | - 1 solenoid |
| | | | - 2 solenoids |

INSTALLATION DIMENSIONS

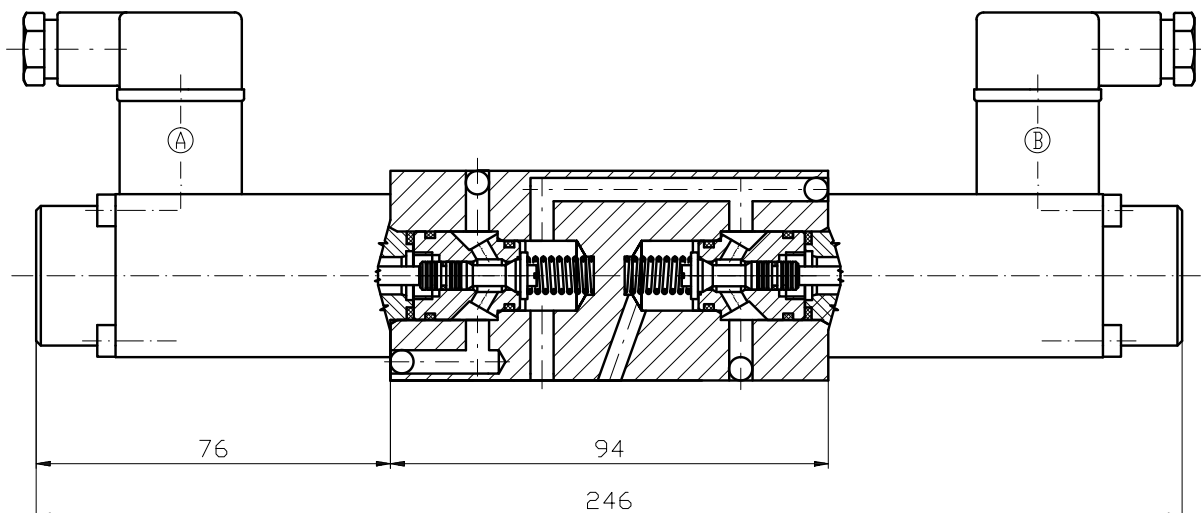
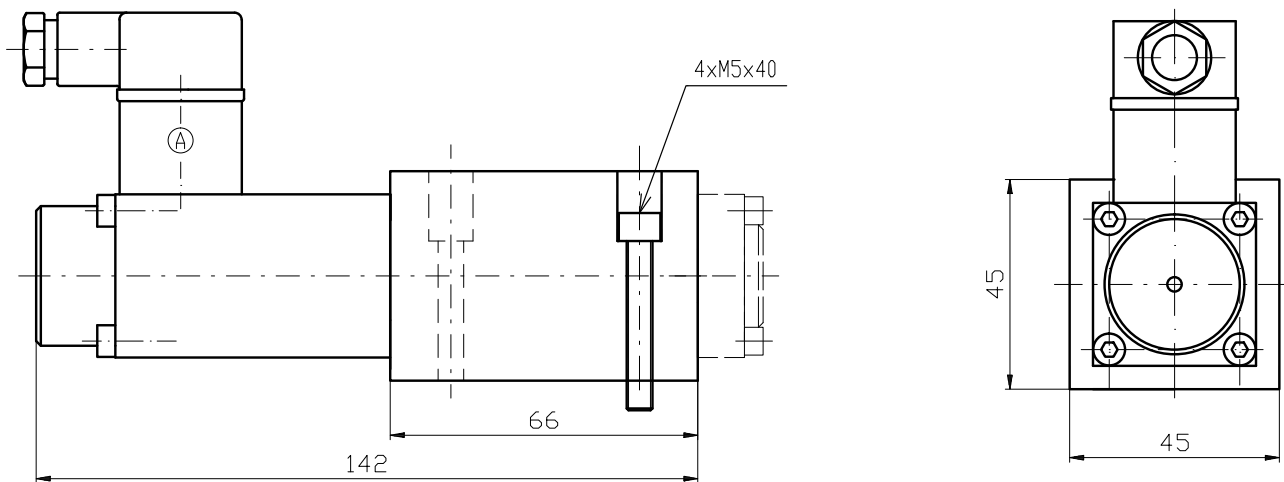
Note: Installation dimensions according to ISO 4401, DIN 24 340, CETOP RP121-H (CETOP 3)



Required surface finish of subplate.

CROSSOVERS

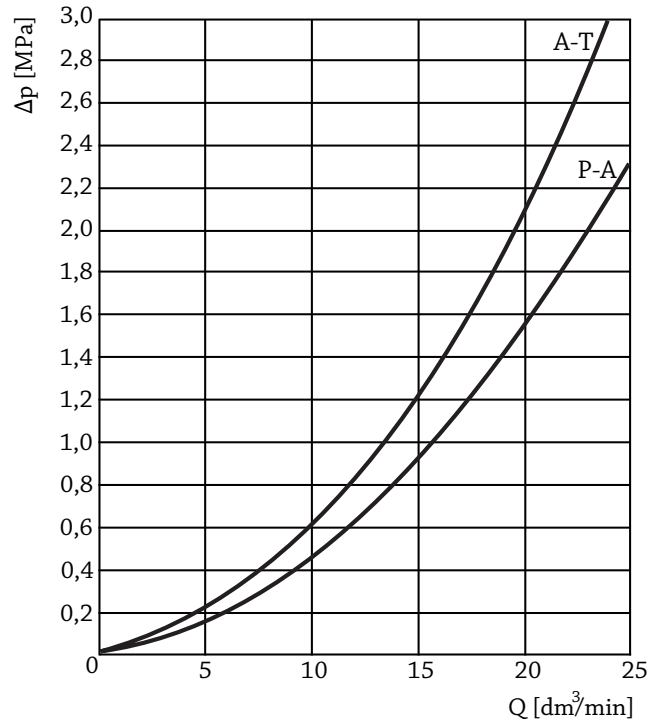
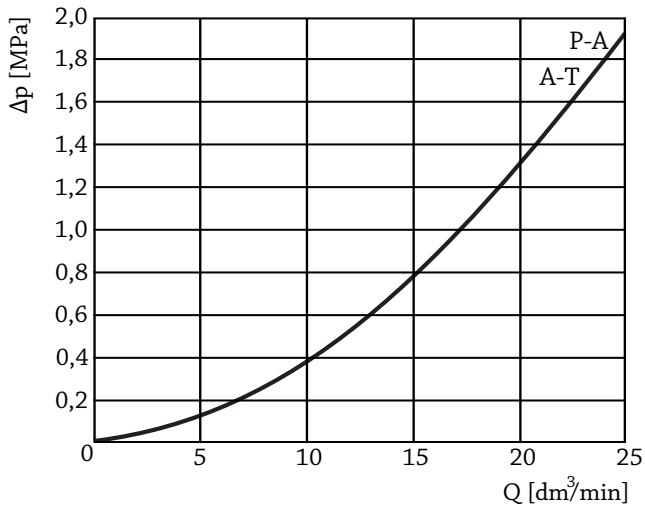
| Symbol | Crossover | Type |
|--------|-----------|---------------|
| | A-A | RVSE1-P062AP1 |
| | B-B | RVSE1-P062BP1 |
| | A-A | RVSE1-P063AP2 |
| | B-B | RVSE1-P063BP1 |
| | A-T | RVSE1-P062AT1 |
| | A-PT | RVSE1-P063AC1 |
| | A-AB | RVSE1-P063AP3 |
| | B-PA | RVSE1-P063BP3 |
| | A-C | RVSE1-P063AB3 |

VALVE DIMENSIONS


PRESSURE DROP

RVSE1-P062AP1
 RVSE1-P062BP1
 RVSE1-P063AP2
 RVSE1-P063BP2
 RVSE1-P062AT1
 RVSE1-P063AC1
 RVSE1-P063AP3
 RVSE1-P063BP3

RVSE1-P063AB3



NOTES

Consultancy service is provided by: **PQS Technology, Ltd.**

Sales department: tel.: +420 313 526 236

Technical support: tel.: +420 313 526 378

Fax: +420 313 513 091

www.pqstechnology.co.uk

e-mail: export@pqstechnology.co.uk

e-mail: info@pqstechnology.co.uk