

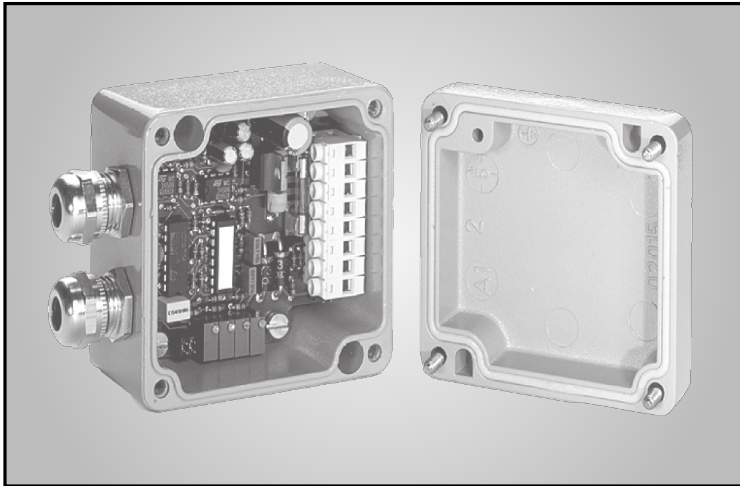


# ESH 6

## CONTROL UNIT

| KE 6050 | 11/13 |

**16/24V DC | IP 65**

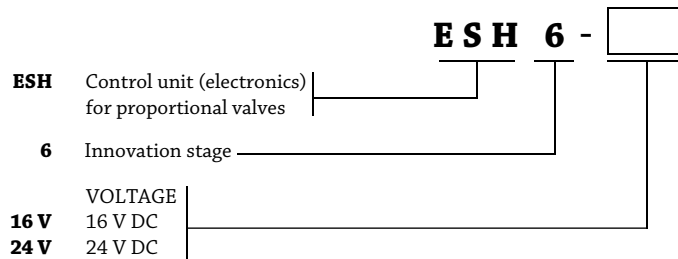


ESH6 control unit is used for independent control of proportional valves where a direct control of the valve is required.

## DESCRIPTION

ESH 6 control unit is used for independent control of proportional valves where a direct control is possible or a superior control loop can be connected. The direct control can be carried out using control voltage from an external source manually by means of 1–10 kΩ potentiometer, from reference voltage +10 V or using 0–20 mA current from an external source.

## ORDERING CODE



## TECHNICAL DATA

Supply voltage	V	16 (15 up to 24)	24 (23 up to 35)
Output current $I_{max}$	A	approx. 1.1	approx. 0.8
Output (control) voltage	V	0 up to 10, differential	
Reference voltage	V	+10 (+-5%), max. power consumption 10 mA	
Dither		+-7% $I_{max}$ , 45/156 Hz, adjustable	
Overall dimensions of the box	mm	75 x 80 x 50	
Box color		grey (powder RAL 7001)	
Weight	g	250	
<b>Recommended values of the controlled solenoids</b>			
Design of solenoid		DC	
Nominal voltage $U_N$	V	16	24
Nominal current $I_N$ , Limit current $I_G$	A	1.21	0.8
Total stroke	mm	4	
Operation stroke	mm	2	
Nominal resistance of coil	Ω	12.2 up to 18.3	28.3 up to 43
Nominal power input	W	18	
Limit power input	W	24	

## PROPERTIES

- Compact design built in small water-proof housing with protection IP 65
- Polarity reversing protection
- Short-circuit protection
- Low power
- Adjustable RAMP function in range of 0 - 2 sec
- Additional DITHER function with frequency 45/156 Hz
- Adjustable low and high current limit ( $I_{min}$ ,  $I_{max}$ )
- Default adjustment if ordered separately (without valve)

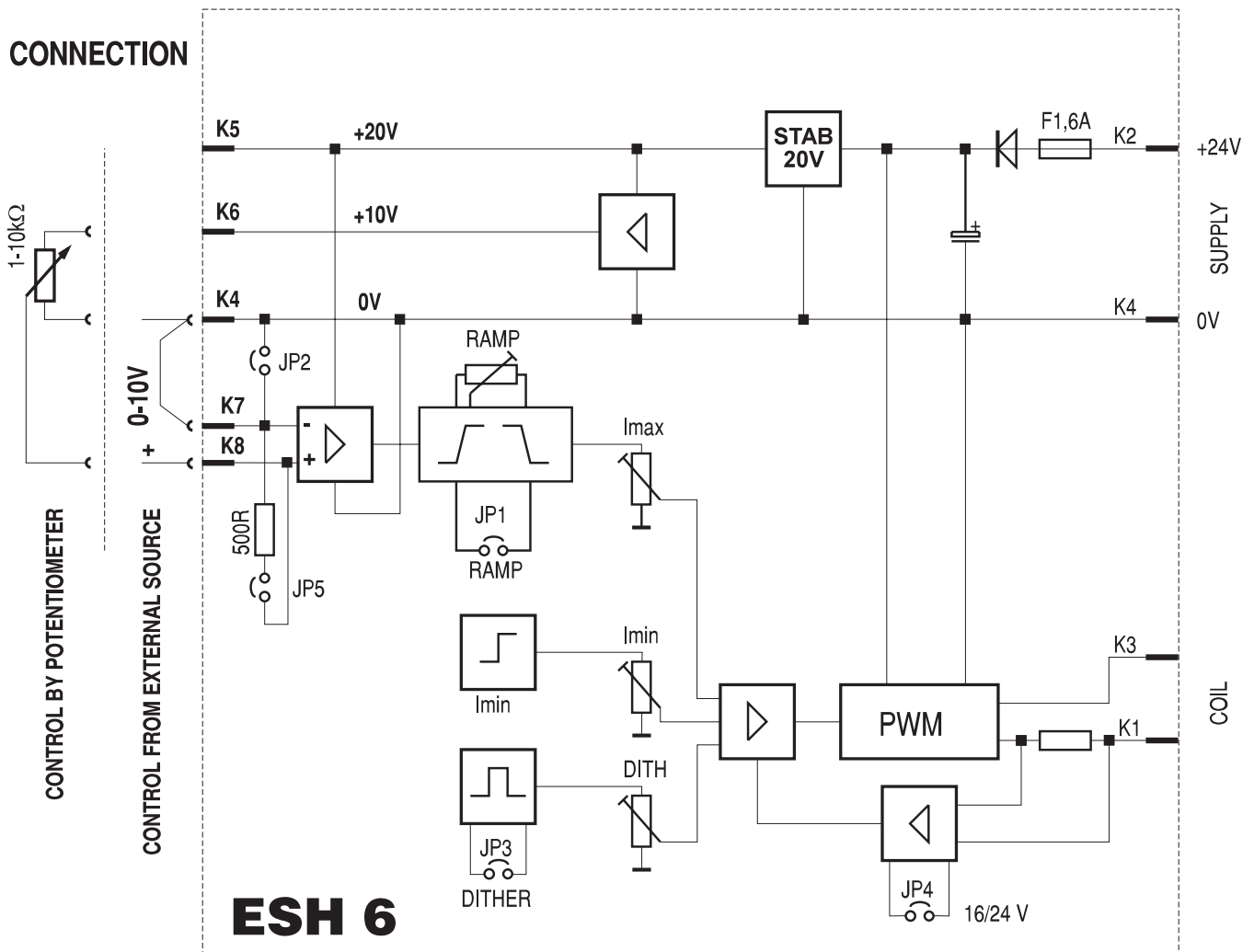
### Default adjustment:

- $I_{min} = 0$  [mA];  $I_{max} = 800$  (1100) [mA]
- DITH. = 0; RAMP = 0;
- $JP_1 = 0$ ;  $JP_3 = 0$ ;  $JP_4 = 0$

**Note:** Simplified block diagram below

## BLOCK DIAGRAM

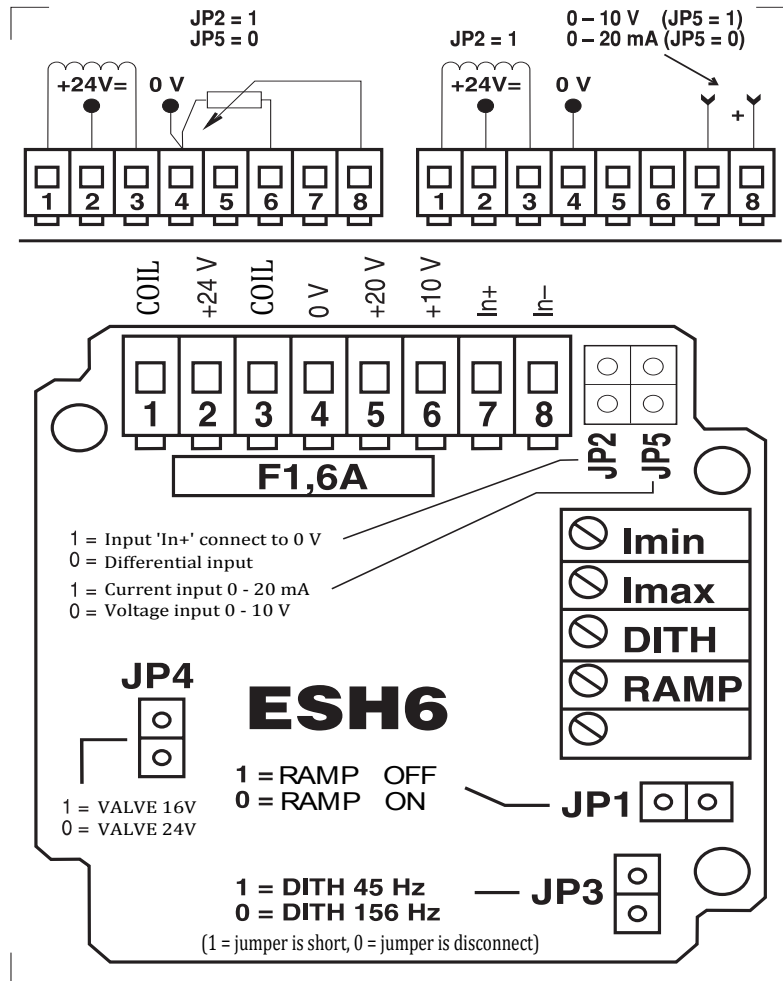
### CONNECTION



## TERMINAL STRIP CONNECTION

Connection of terminal strip and location of regulation elements:

### CONNECTION



**Note:** Terminal stripe can be removed from the box by pulling upwards and wires can be connected outside the box. Terminal stripe with connected wires can be placed on its original place afterwards.



## NOTES

Consultancy service is provided by: **PQS Technology, Ltd.**

Sales department: tel.: +420 313 526 236

Technical support: tel.: +420 313 526 378

Fax: +420 313 513 091

**[www.pqstechnology.co.uk](http://www.pqstechnology.co.uk)**

e-mail: [export@pqstechnology.co.uk](mailto:export@pqstechnology.co.uk)

e-mail: [info@pqstechnology.co.uk](mailto:info@pqstechnology.co.uk)

The data is subject to change. The manufacturer reserves the right to make changes and/or improvements without prior notice. It is understood that the information in this datasheet is being used at one's own risk.

